

Truck Crane AK 46/6000



Technical Data

Permissible gross vehicle weight (t)	18 / 26
Max. payload (kg)	3,000 (optional 6,000)
Max. extension length (m)	44.0 (optional 46.0)
Working height up to jib (m)	33.8
Jib extendable (m)	5.3 / 8.1 / 11.0
Jib payload (kg)	3,000 / 1,500 / 800 / (400)
Boom angle (degrees)	85
Jib angle (degrees)	162
Pivoting range (degrees)	+/- 310
Hook speed (m/min)	45
Range for crane operation at 250 kg (m)	38.0 (39.0)
Range for crane operation at 500 kg (m)	34.5
Range for crane operation at 1 t (m)	26.0
Range for crane operation at 2 t (m)	17.7
Range for crane operation at 3 t (m)	13.5
Range for crane operation at 6 t (m)	8.0
Range / Working height max. (m) with rotating basket 250 kg (PK 250-D)	33.1 / 43.3
with rotating basket 350 kg (PK 350-D)	28.0 / 40.0
Range / Working height max. (m) with non-rotating basket 250 kg	34.3 / 46.0

All rights reserved for changes. All specified values are maximum values.





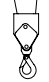


We recommend the AK 46/6000 for all those that want to playfully reach the rear side of roofs or buildings. It has a comparatively low body weight and is mounted on an 18 or 26 t truck, lifting a maximum of 6 t. On the jobsite this crane reaches up to 39 m of radius with 250 kg load and still 26 m with a load of 1.000 kg on the hook- both in an almost circular radius. Upon request this crane can be fitted with a double fully hydraulic extendible fly jib.

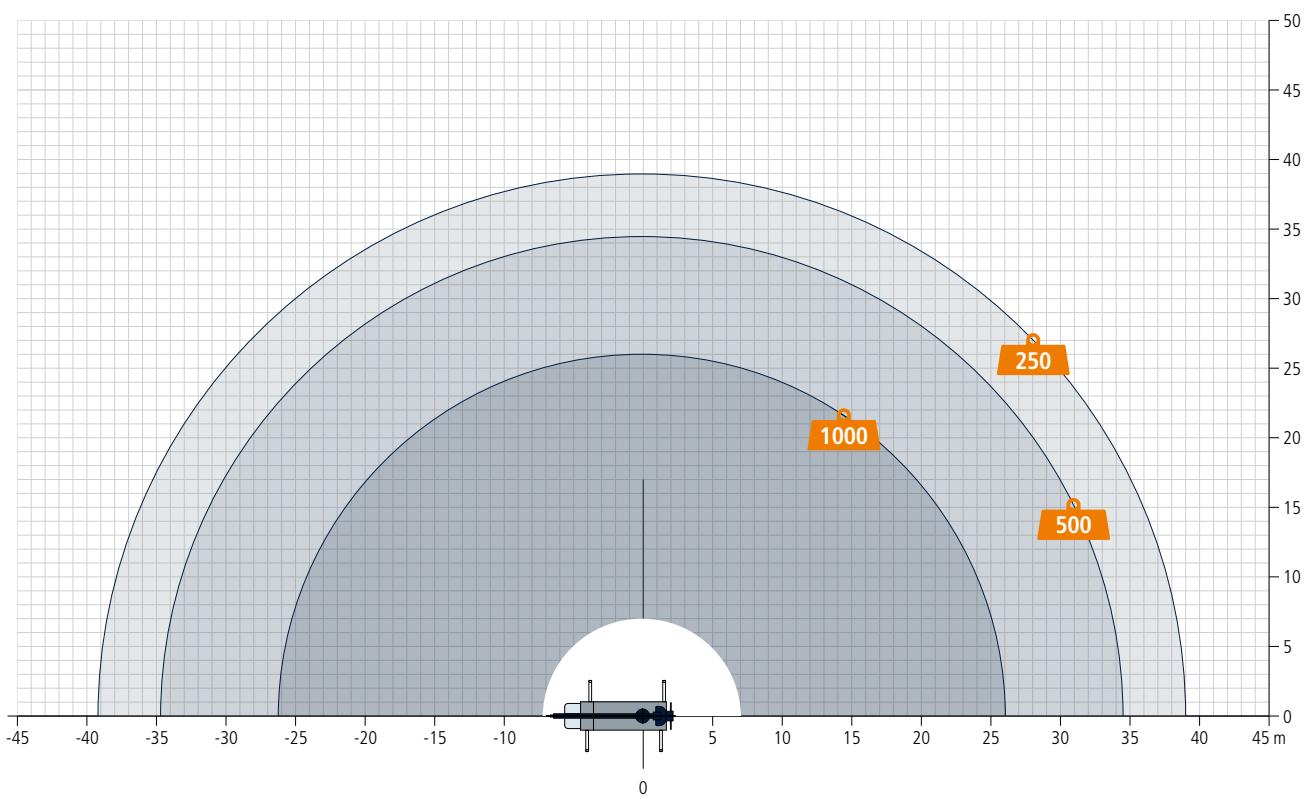
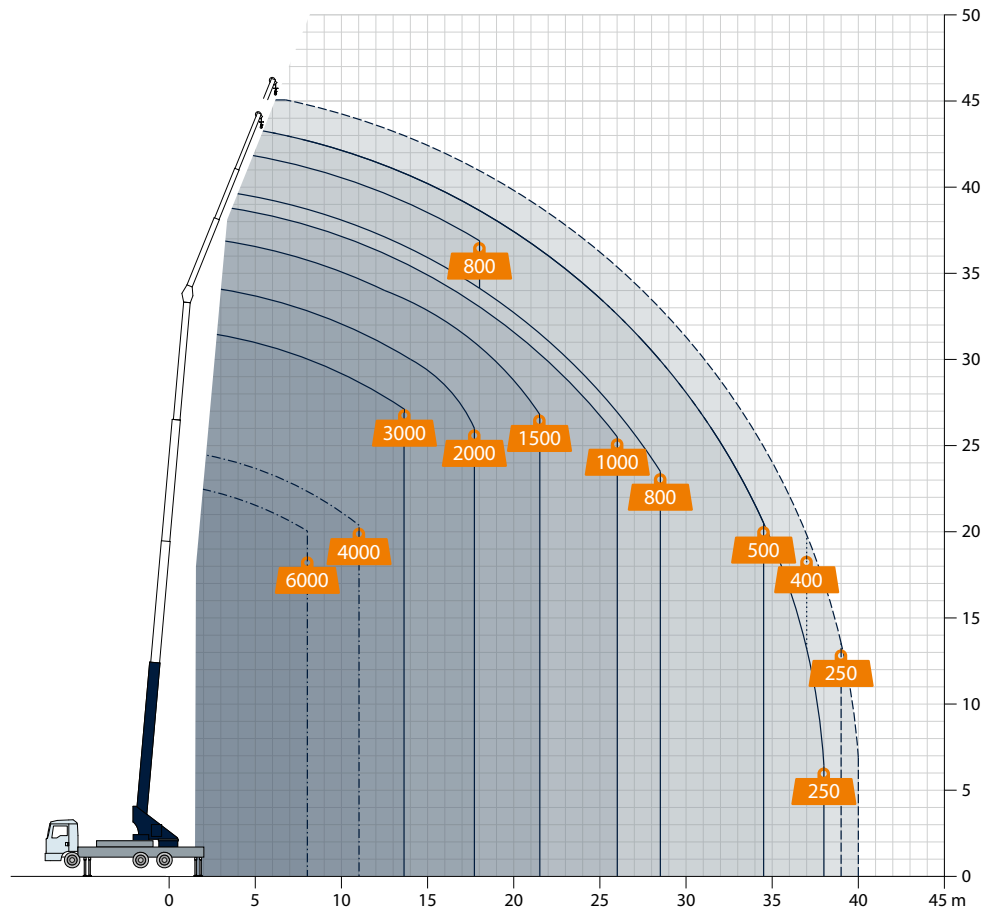
Camera technology is also available as an option. It transmits a live image from the top of the boom to the colour display of the remote control. Thanks to its compact design, its convenient driving characteristics as well as its surpassing manoeuvrability, the AK 46/6000 can also be set-up and used in tight spaces.

Available with **Böcker**Connect

Böcker
MY WAY TO THE TOP

Working range crane operation

-  Load in kg
-  Single-fall operation
-  Two-fall operation
-  With jib-extension (2 m)
-  Increased jib load with reduced working range

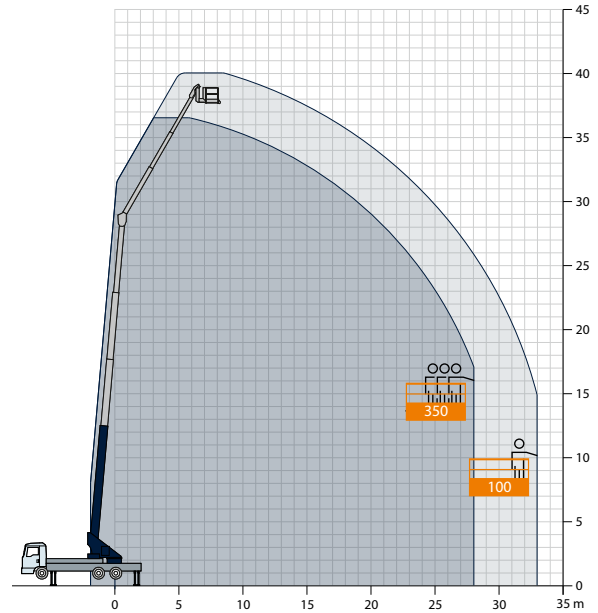
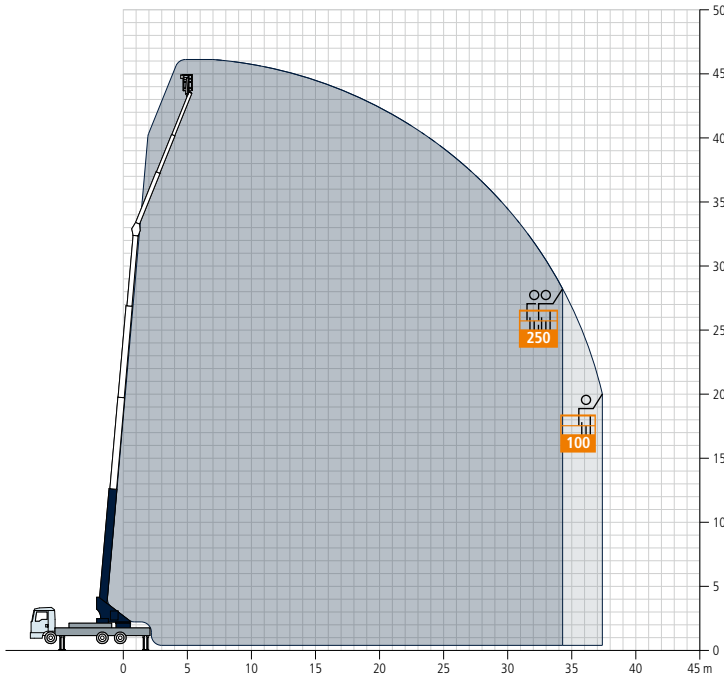


All weights are in kg.
Measurements can fluctuate slightly.

Working range platform operation

Non-rotating basket PK 250-1

Rotating basket PK 350-D

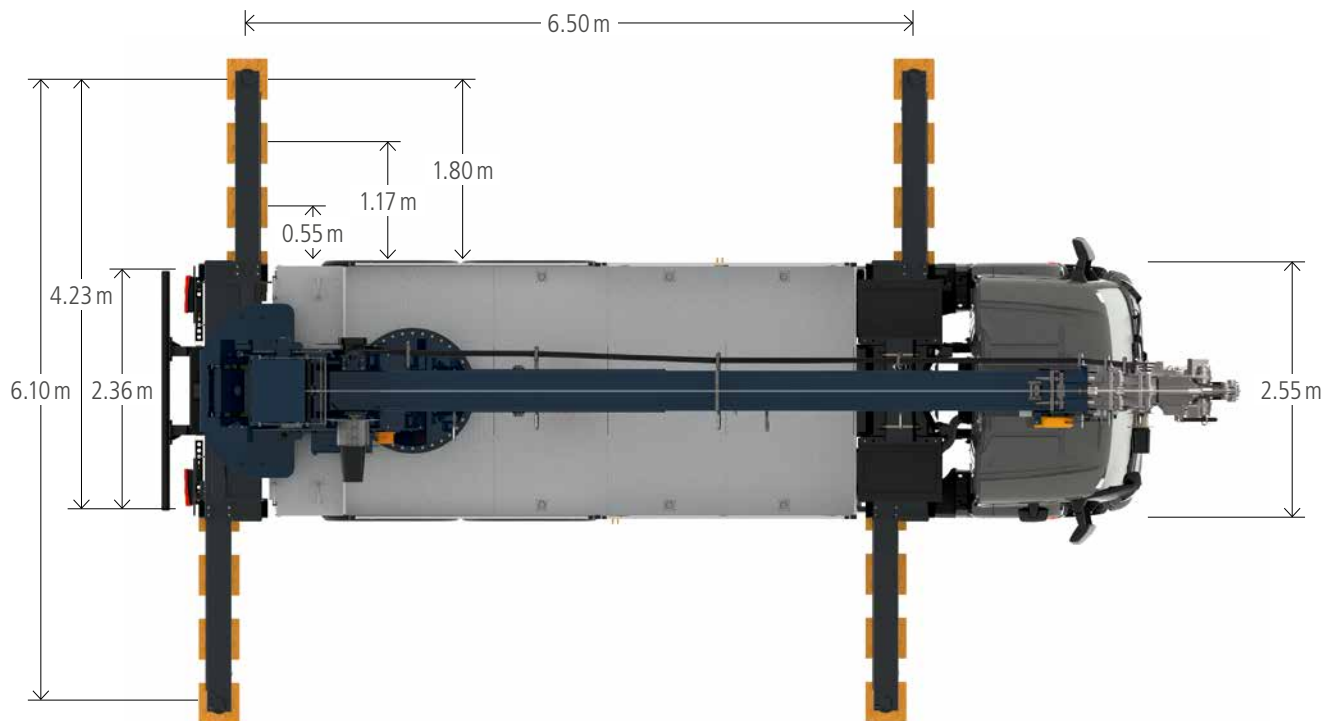
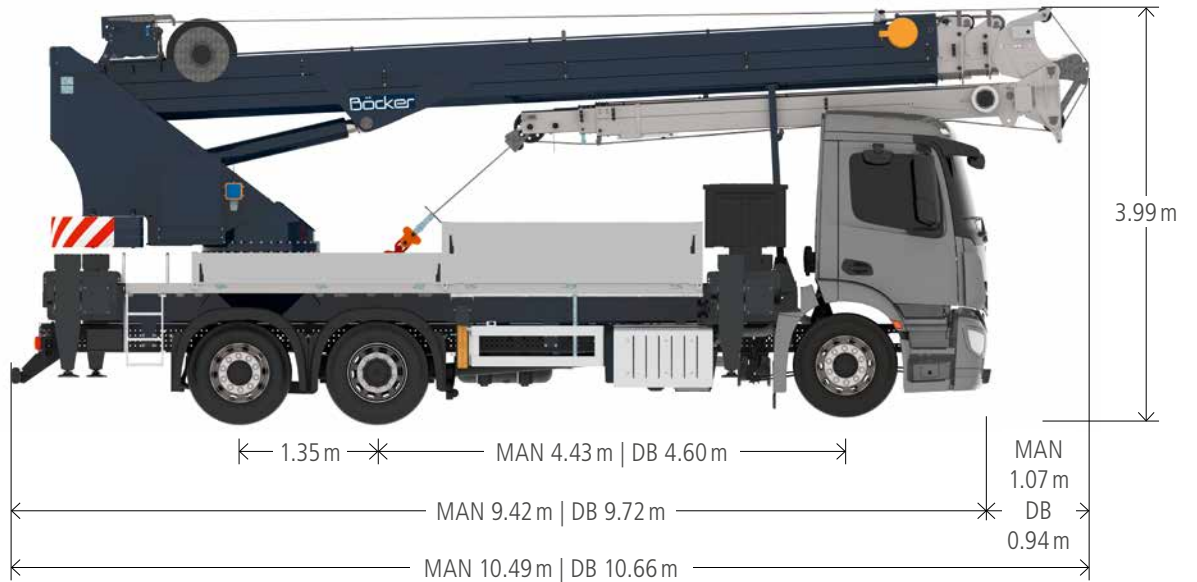


Jib



All weights are in kg.
Measurements can fluctuate slightly.

Dimensions



Böcker

www.boecker.co.uk

Boecker UK Limited

Unit B Grazebrook Industrial Park
Hulbert Drive, Dudley
West Midlands UK-DY2 0XW

Fon +44 1384 476580
info@boecker.co.uk